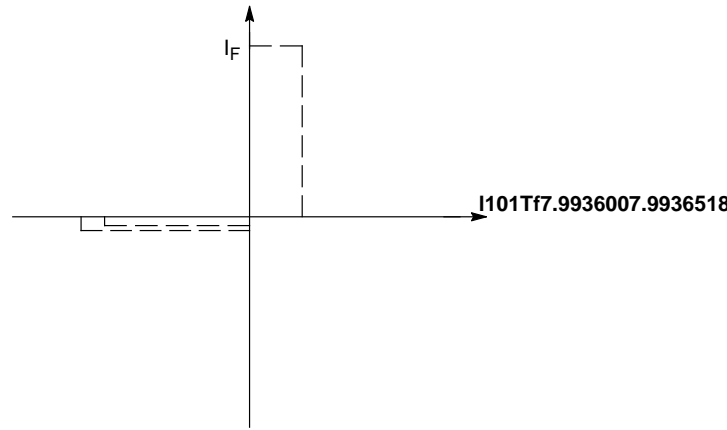


**= 50 C**  
Derate above 50



**Zener Voltage Regulator**

## 1N5913B Series

## 1N5913B Series



APPLICATION NOTE



—  
—  
—

**onsemi**, and other names, marks, and brands are registered and/or common law trademarks of Semiconductor Components Industries, LLC dba "**onsemi**" or its affiliates and/or subsidiaries in the United States and/or other countries.

